



## Main Features:-

- ◆ Flanged PN16, ISO 5211 for Direct Mount
- ◆ Full Bore, Lever Operated
- ◆ DIN F4 Face to Face
- ◆ ASTM B148 Body, Ball & Stem
- ◆ Rated PN16, Temperature -20°C to 150°C

\*Temperature and pressure determined by valve body, seat etc.

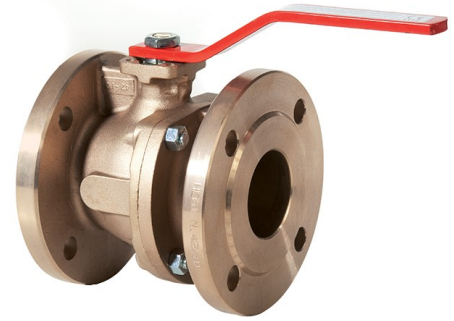
## Suitable Applications & Approvals:



INDUSTRY

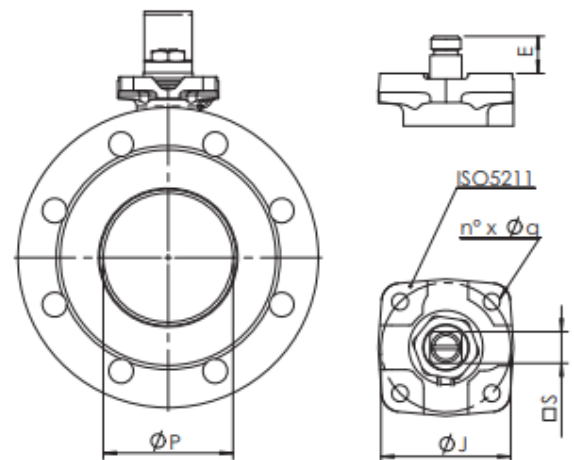
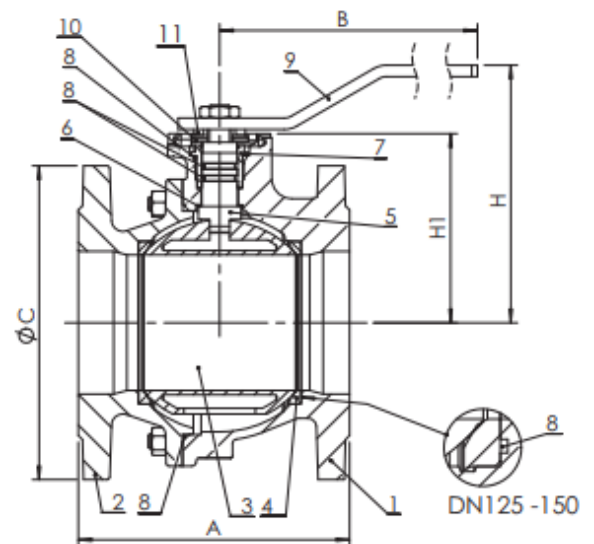
## SERIES: 10099

MANUFACTURER: **AV@L**  
INDUSTRIAL VALVES



VALVE DIMENSIONS

Name	Materials
Body	Aluminium Bronze
Flange	Aluminium Bronze
Ball	Aluminium Bronze
Ball Seat	PTFE
Stem	Aluminium Bronze
Sliding Washer	PTFE
Ring	AISI 316
O'Ring	Viton
Lever	AISI 316
Stop Plate	AISI 316
Spring Washer	AISI 316
Lever Hub	Brass
Lever Stop	AISI 04
Anti-Blow-Out	AISI 302
Mountig Pad	Aluminium Bronze
Bolts	AISI 304



## ALL VALVES ONLINE

Offering a full range of actuated valve packages, manual valve range, pipe fittings and pumps, we have a product for all your requirements. As an ISO 9001-2015 Quality Approved and certified company, All Valves offer a quality service from pre-sale to post sale. Shipping millions of pounds in value of manual valve and actuated valve packages all over the world since its formation, All Valves are a trusted valve and actuator supplier to many companies all over the world. Working with the leading brands in most industries.



T +44 (0)1386 552369

E sales@allvalves.co.uk

W www.allvalves.co.uk

F +44 (0)1386 554227



# BALL VALVES

# ALLVALVES ONLINE

**AVOL**  
INDUSTRIAL VALVES

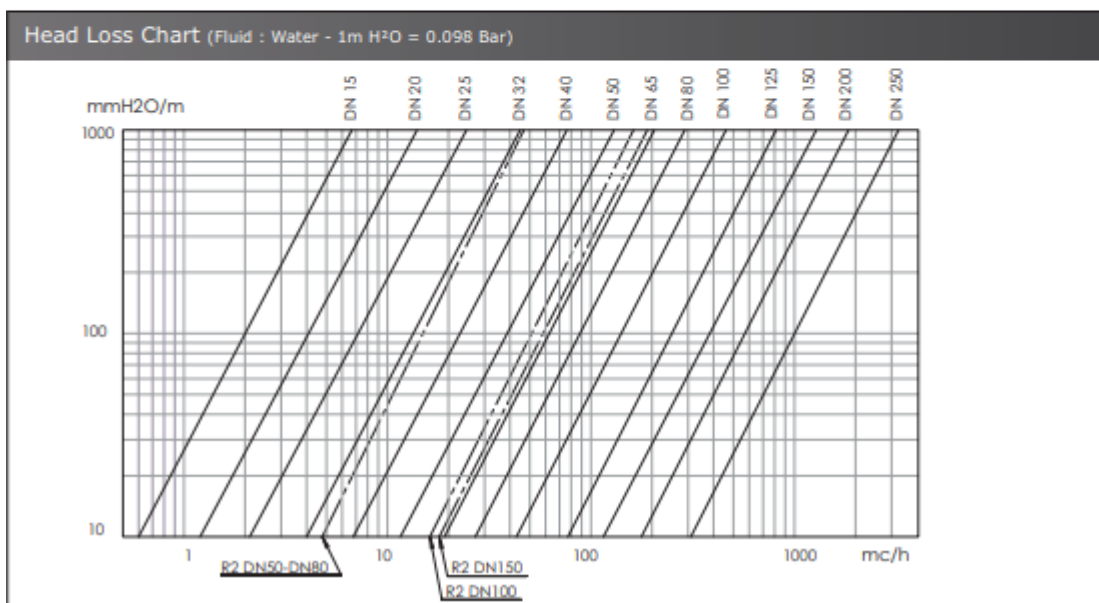
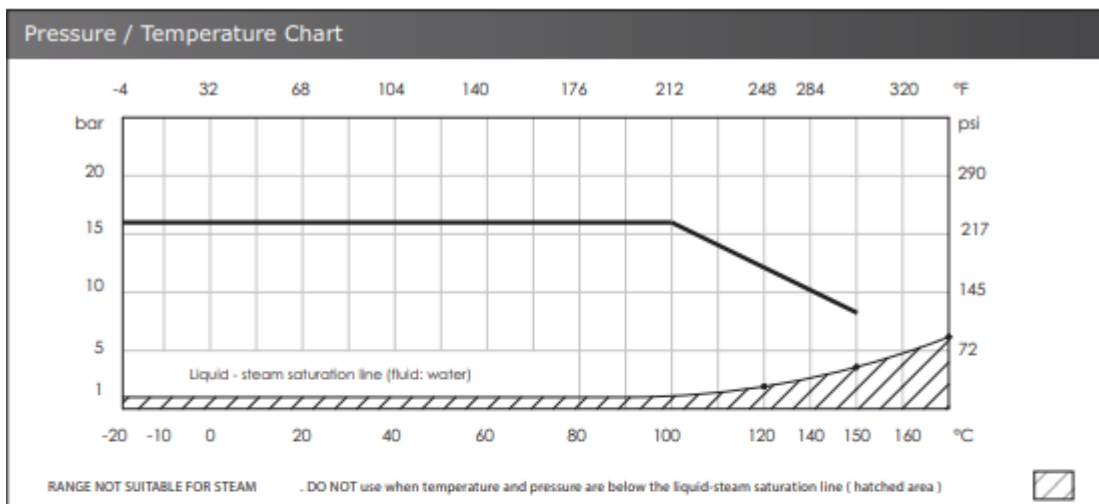
AVOL valves are our range of industrial valves selected by our experienced technical sales team.

## SERIES: 10099

Size	P	A	H	H1	B	C	ISO	J	n° x Øq	E	S	Kg	Nm	Kv
1/2"	15	115	84	50.5	160	95	F04	42	4x6	11.5	Ø9	2.4	15	22.3
3/4"	20	120	84	52	160	105	F04	42	4x6	11.5	Ø9	3	15	47.7
1"	25	125	96	59	170	115	F04	42	4x6	14.5	Ø11	4	18	83.5
1 1/4"	32	130	101	64	170	140	F04	42	4x6	14.5	Ø11	4.9	18	150.4
1 1/2"	40	140	125	78.5	230	150	F05	50	4x7	17.5	Ø14	6.3	18	255
2"	50	150	135	87	230	165	F05	50	4x7	17.5	Ø14	9.4	20	435
2 1/2"	63	170	143	95	230	185	F05	50	4x7	17.5	Ø14	13.6	40	672
3"	76	180	165	118	280	200	F07	70	4x9	20	Ø17	17.7	70	947
4"	95	190	180	132.5	360	220	F07	70	4x9	20	Ø17	23.3	100	1508

### Pressure/Temperature Chart & Head Loss Chart

VALVE DIMENSIONS



T +44 (0)1386 552369

W [www.allvalves.co.uk](http://www.allvalves.co.uk)

E [sales@allvalves.co.uk](mailto:sales@allvalves.co.uk)

F +44 (0)1386 554227